



877-674-5625 www.oaksecurity.com

**IMPORTANT :**

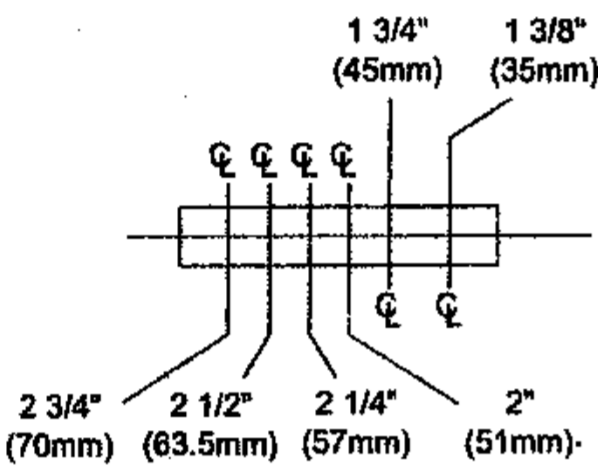
Check door thickness before drilling.

**Installation Template of Electrified Lever Set**

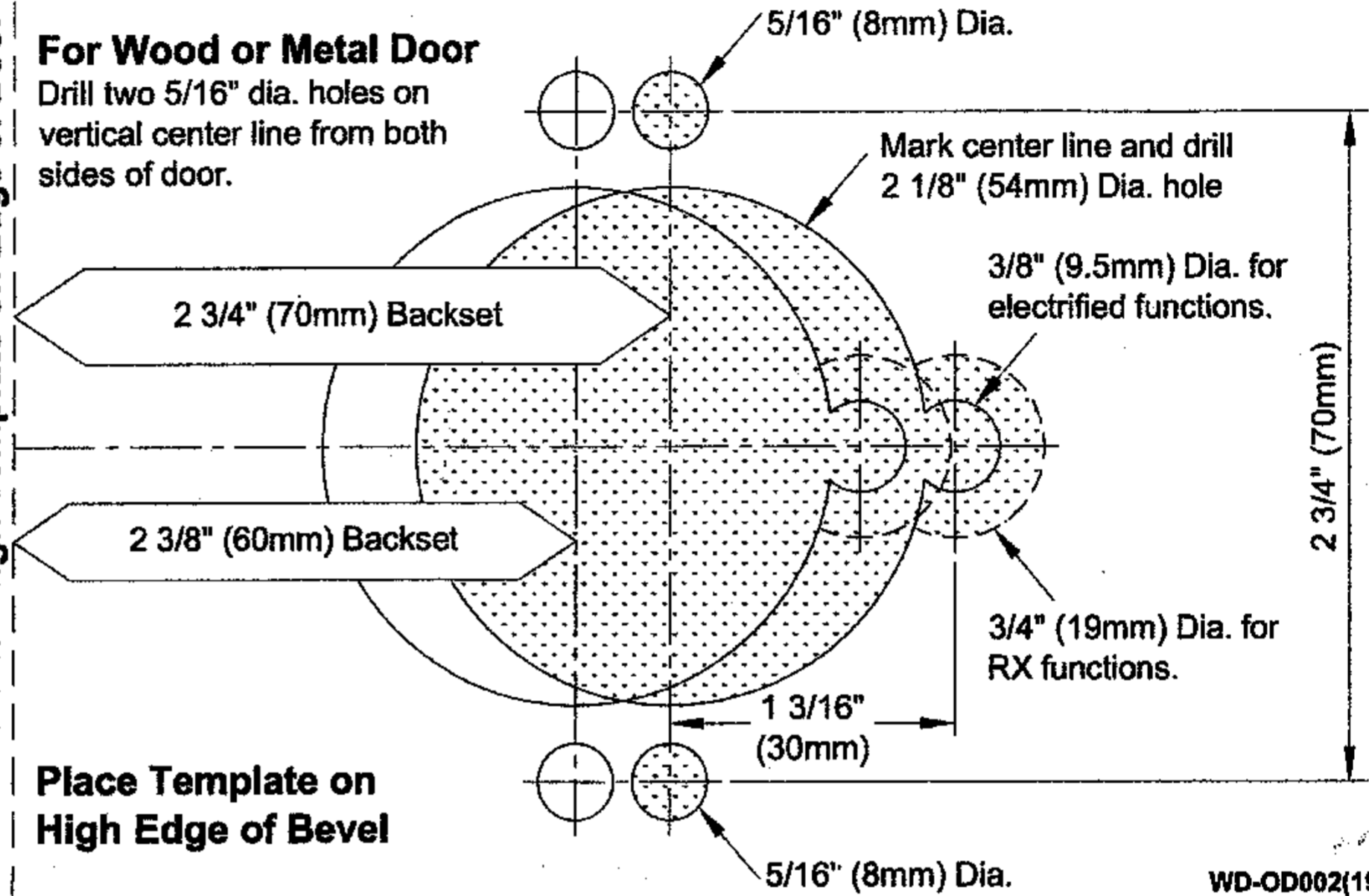
Fold and Align Template on Edge of Door

**For Wood or Metal Door**

Drill two 5/16" dia. holes on vertical center line from both sides of door.



Drill 1" (25mm) Dia. hole on door edge center line



Place Template on High Edge of Bevel

WD-OD002(191)



**DEADBOLT  
FACEPLATE AND STRIKE PLATE  
DIMENSIONS**

FACEPLATE – 1 1/8" W X 2 1/4" H X .170" DEEP  
STRIKE PLATE – 1 1/8" W X 2 3/4" H  
Square Corners



**CYLINDRICAL  
FACEPLATE AND STRIKE PLATE  
DIMENSIONS**

FACEPLATE – 1 1/8" W X 2 1/4" H X .170" DEEP  
"T" STRIKE PLATE – 1 1/8" W X 2 3/4" H  
Square Corners w/ Curved Lip  
"A" (ANSI) STRIKE – 1 1/4" W X 4 7/8" H  
Square Corners w/ Curved Lip