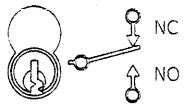
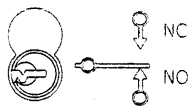


Key & Switch Positions

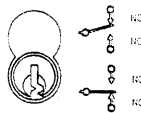


Key pos. 1 - Swt. pos. 1

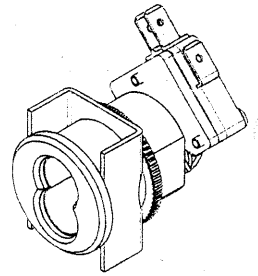


Key pos. 2 - Swt. pos. 2

Remove Key



Key pos. 1 only Swt.



CONTACT RATING

15A 125vac, 15A 250vac
Resistive

SWITCH TYPE

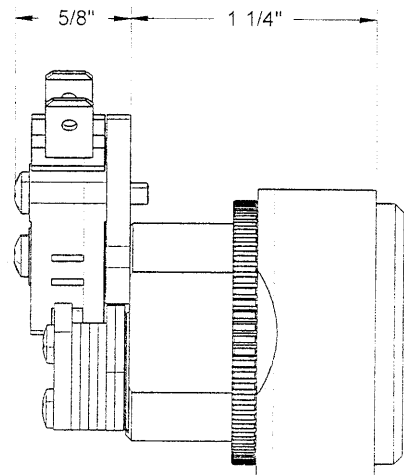
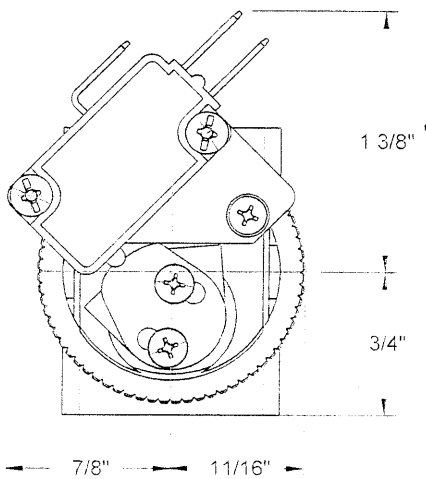
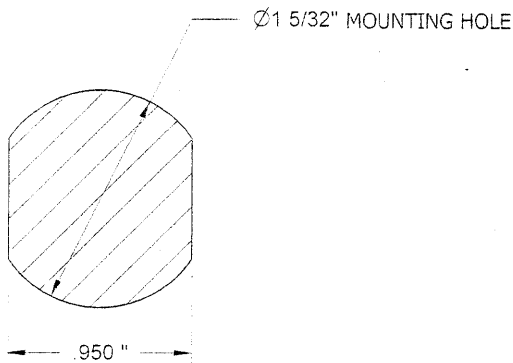
B1-SPDT
(Single pole - Double Throw)

SWITCH ACTION

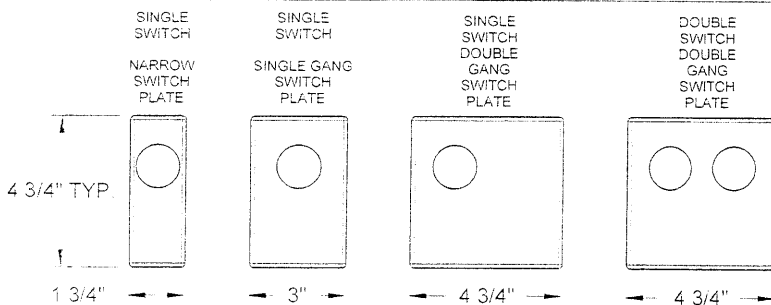
Momentary
on-on

KEY ROTATION

45
Clockwise-on



FACEPLATE Switch & Configuration



Oak Security Group, LLC
8904 Bash Street, Suite K
Indianapolis, IN 46256



877-674-5625 Toll-Free
317-585-9830 Phone
317-585-9834 Fax

welcome@oaksecurity.com
www.oaksecurity.com

TEMPLATE FOR ES-1-B1 SWITCH LOCK

PTN NO.	LEVELS	SERIES	DATE	TEMPLATE NO.	REV	LOC. NO.
ETIDATA2	L-55	IC	3/23/2011			ES-1-B1