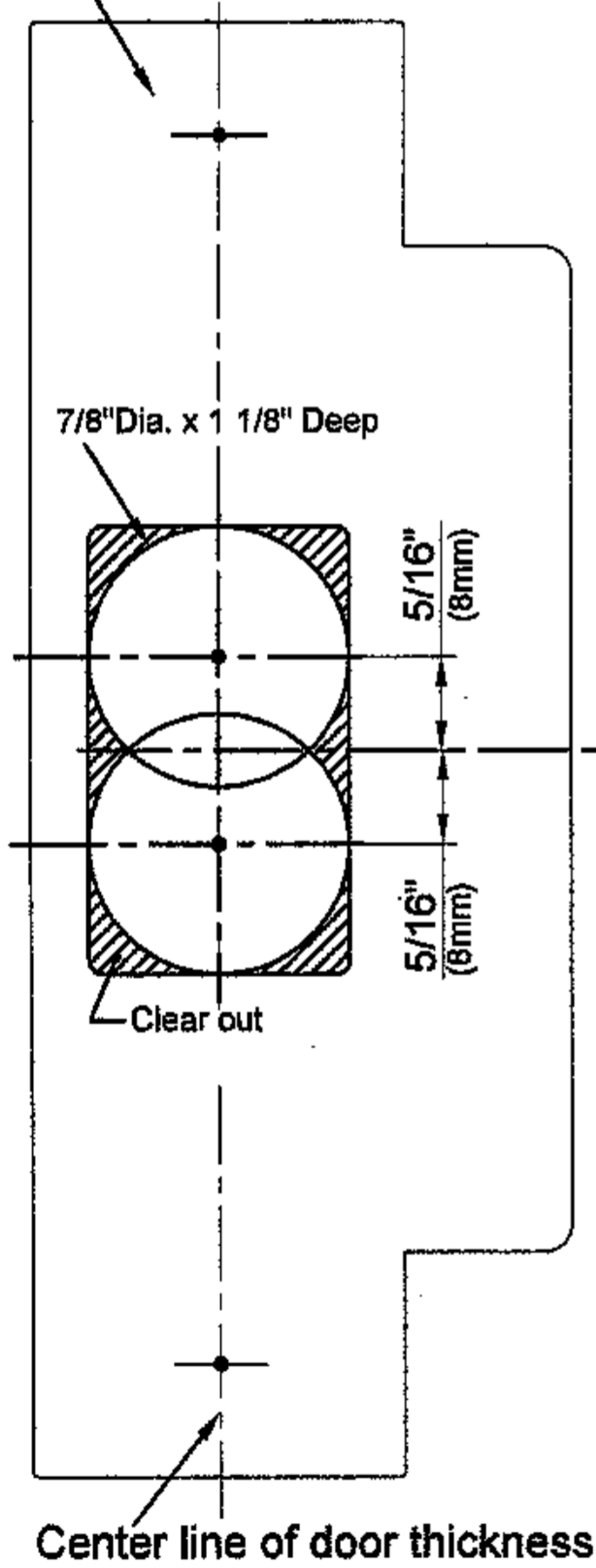




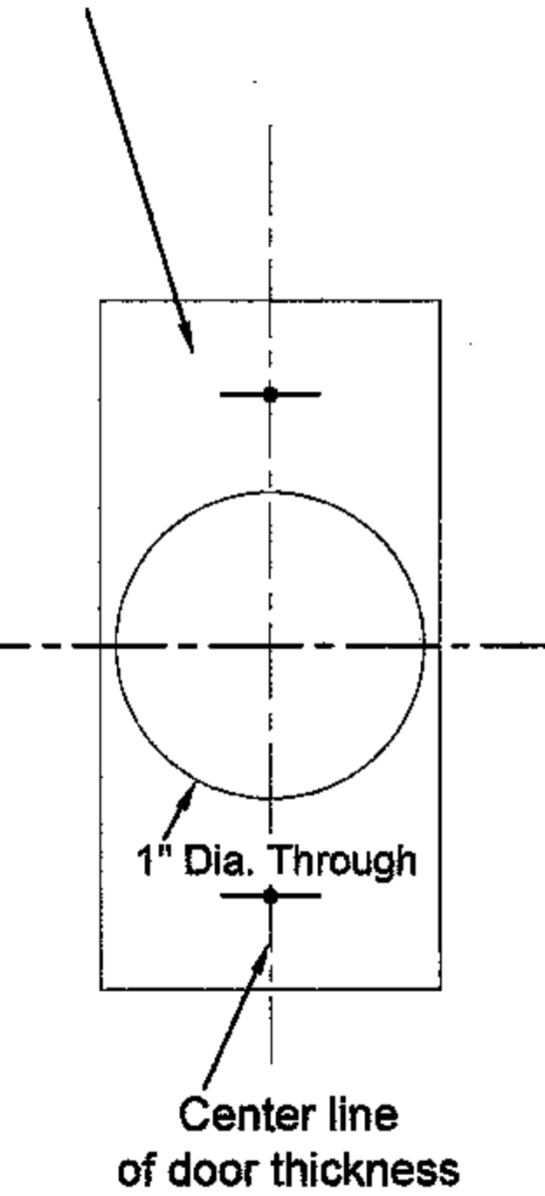
Toll free : 1-877-874-5625
www.oaksecurity.com

Installation Template of Heavy Duty Lever Set

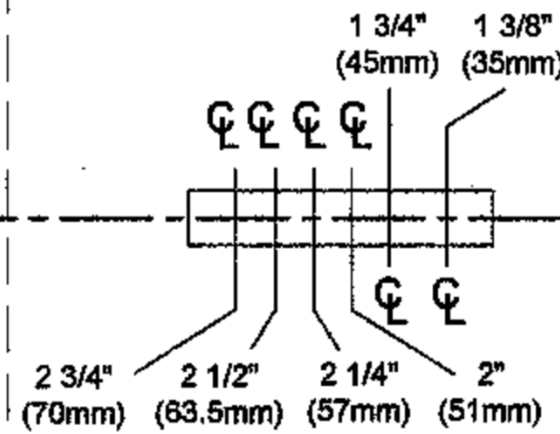
Frame Prep. for Strikes
Recess to fit Strike Plates



Door Edge Prep. for Latch
Recess to fit Faceplate



IMPORTANT :
Check door thickness
before drilling.



Drill 1" (25mm) Dia.
Hole on Door Edge
Center Line

