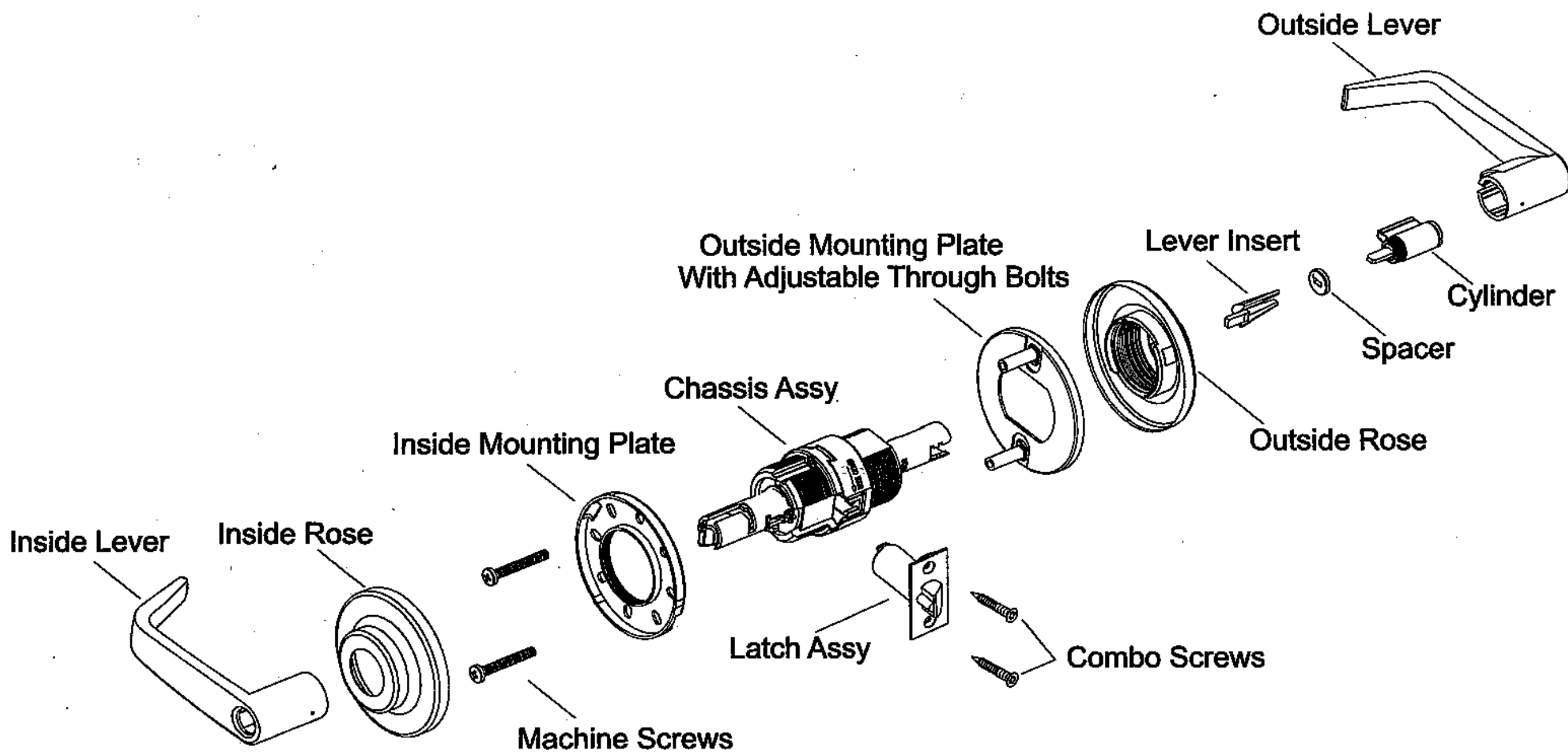
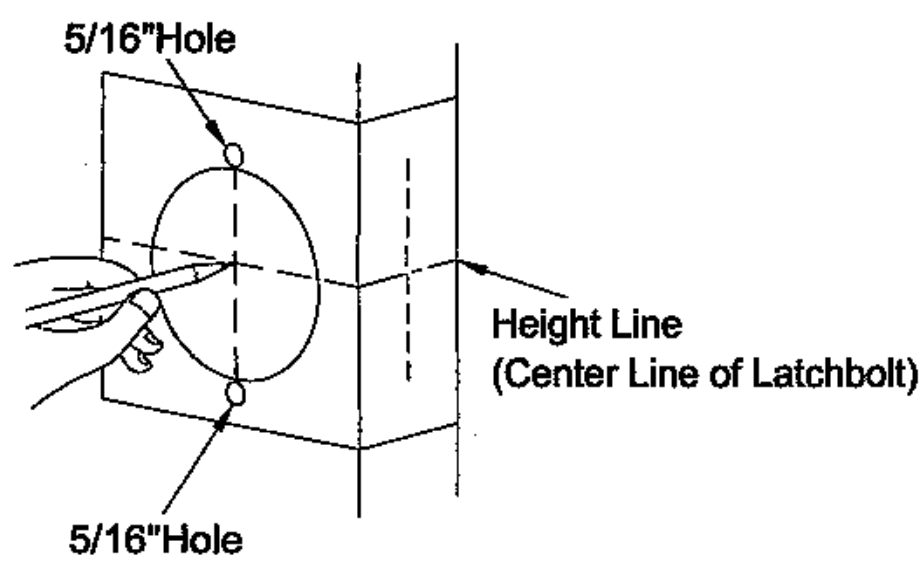


HOW TO INSTALL THIS CYLINDRICAL LEVER LOCK



1. Mark Door

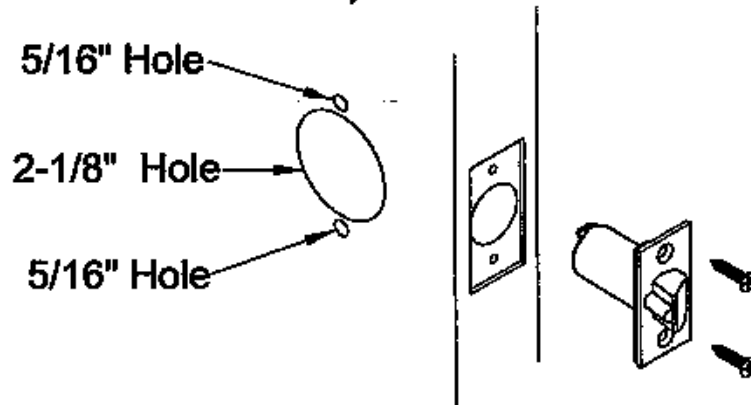
- Mark height line on edge of door approximately 38" from floor.
- Using the proper backset, mark 2-1/8" hole on both sides of the door.
- Mark two 5/16" holes on both sides of the door.
- Mark the center of the door edge for the latch.



2. Door Preparation

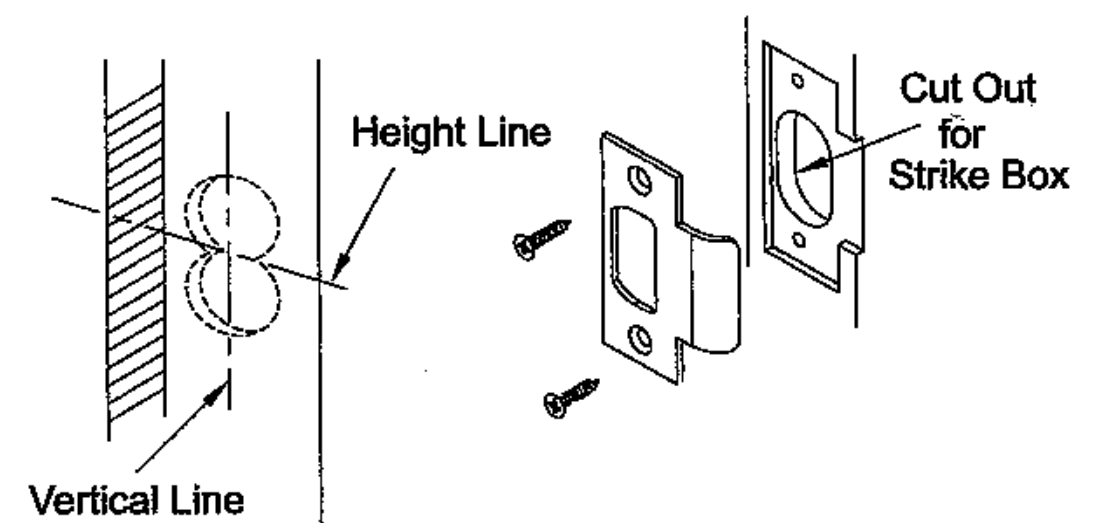
- Bore 2 1/8" hole thru and two 5/16" holes from both sides of door to prevent splintering.
- Bore 1" hole for latch on door.
- Using the latch faceplate as a guide, trace outline and mortise door edge so latch is flush with door.
- Install latch with screws provided.

NOTE: Hollow metal doors must be properly reinforced for lock support (if support was not furnished, contact door manufacture).



3. Install Strike

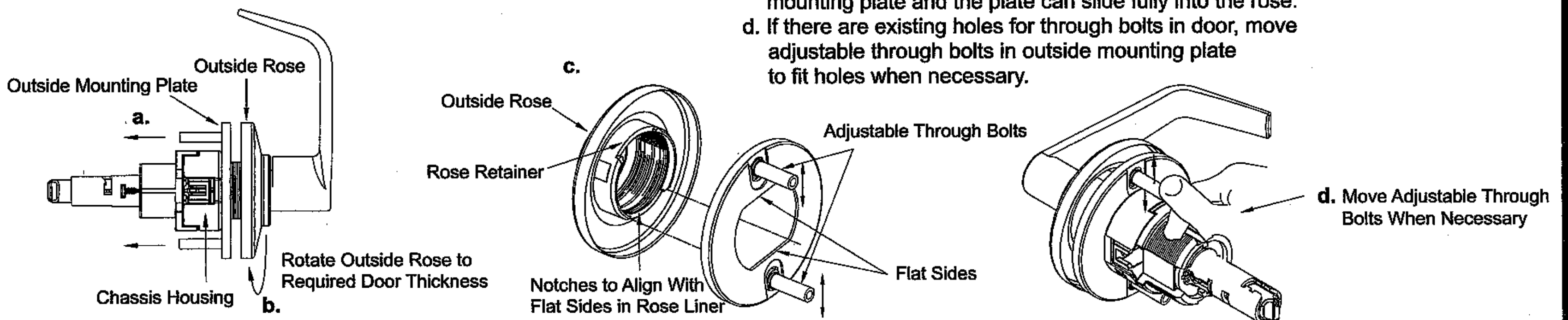
- Use strike locating tool or pointed object to locate position for hole in frame.
- Bore 1" x 3/4" deep hole. Use strike as a template and mortise to the proper depth.
- If dust box is to be used, clear area with wood chisel.



4. Chassis Adjustment

- Remove outside mounting plate toward chassis housing.
- Rotate outside rose to required door thickness.

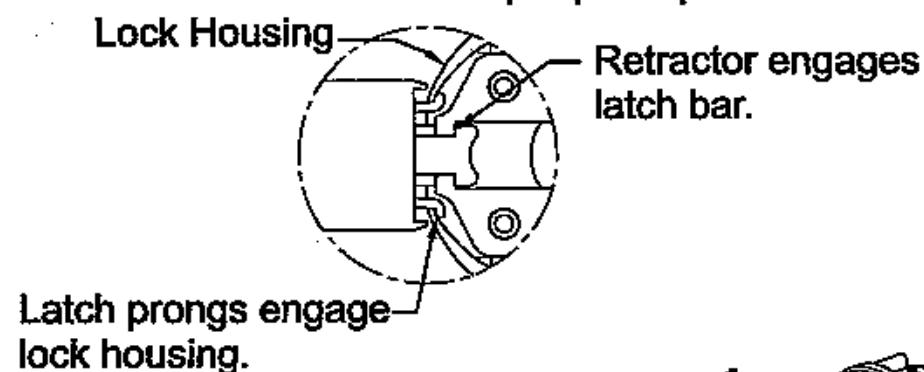
- Rotate outside rose slightly clockwise or counter-clockwise so the rose retainer aligns with the flat sides of the outside mounting plate and the plate can slide fully into the rose.
- If there are existing holes for through bolts in door, move adjustable through bolts in outside mounting plate to fit holes when necessary.



5. Install Outside Trim

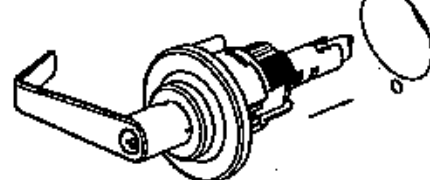
- For ease of installation, lock should be in the unlocked position.
- Slide chassis assembly into door from outside making sure that lock housing engages latch prongs, retractor must also engage latch tail.

Important: Chassis assembly must be positioned in center of door for proper operation.



Latch prongs engage lock housing.

CAUTION: DO NOT ATTEMPT TO MOUNT LOCK UNIT WITH DOOR CLOSED.



6. Install Inside Trim

- Screw inside mounting plate onto hub and tighten firmly by rotating plate with spanner wrench, adjust screw holes in plate to align with through bolts. (**NOTE:** Also adjust either one of the notch in plate towards bottom.)
- Insert screws and tighten.
- Locate the notch on edge of rose to wards bottom and push in until flush with face of door.
- Align lever with spindle and push lever catch engages with hole.
- Check function before closing door.

