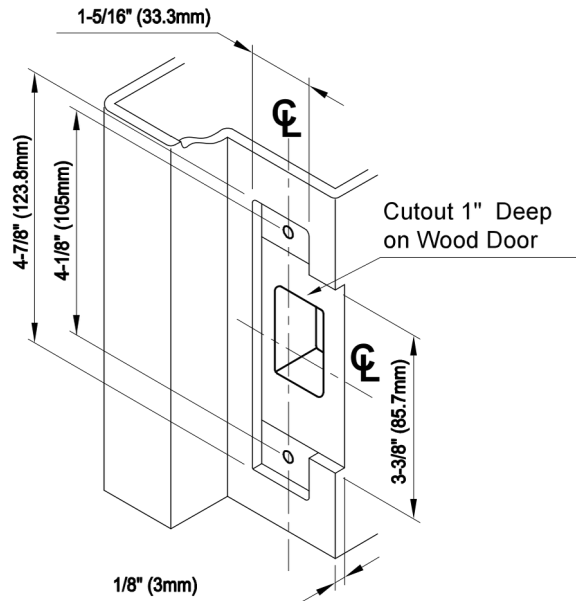


Templates

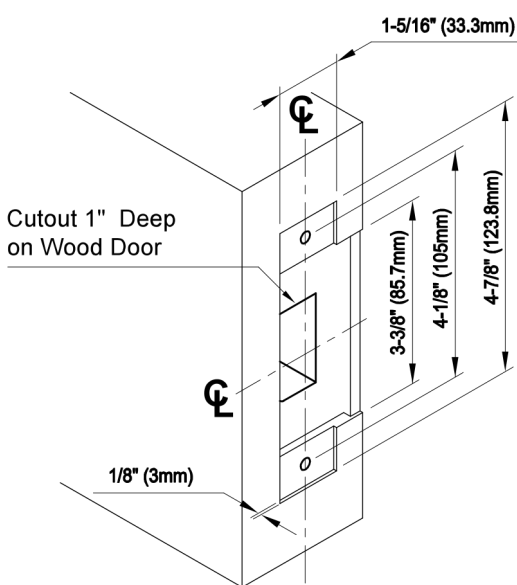
Preparation of Strike for Mortise

306 Strike

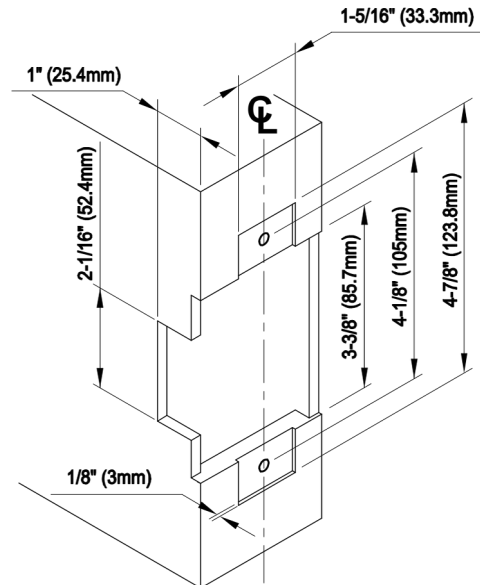


SINGLE DOOR

306/336 Strike



337/338 Open Back Strike



DOUBLE DOOR

Illustration	Applications	Dimension	
		Metal	Wood
○	Strike Screw	#25 Drill #10-24 Tap	1/8" (3mm) Drill Pilot 1" Deep