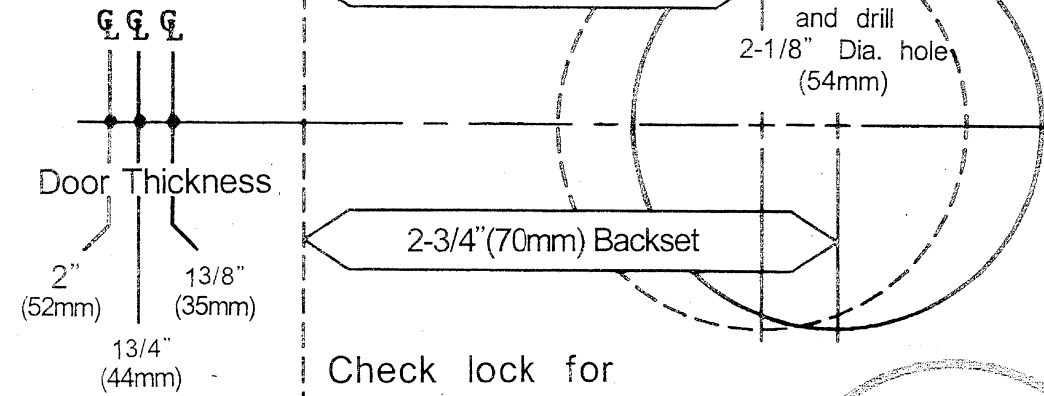


Fold here and place template on high edge of door bevel

TUBULAR DEADLOCK



Use 1" (25mm) drill for Latches & Deadbolts

Check lock for Proper backset before drilling

OAK
SECURITY GROUP, LLC
1-877-674-5625